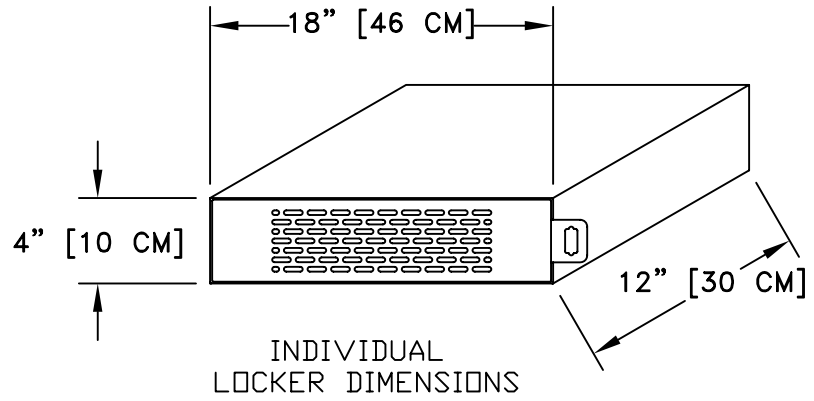
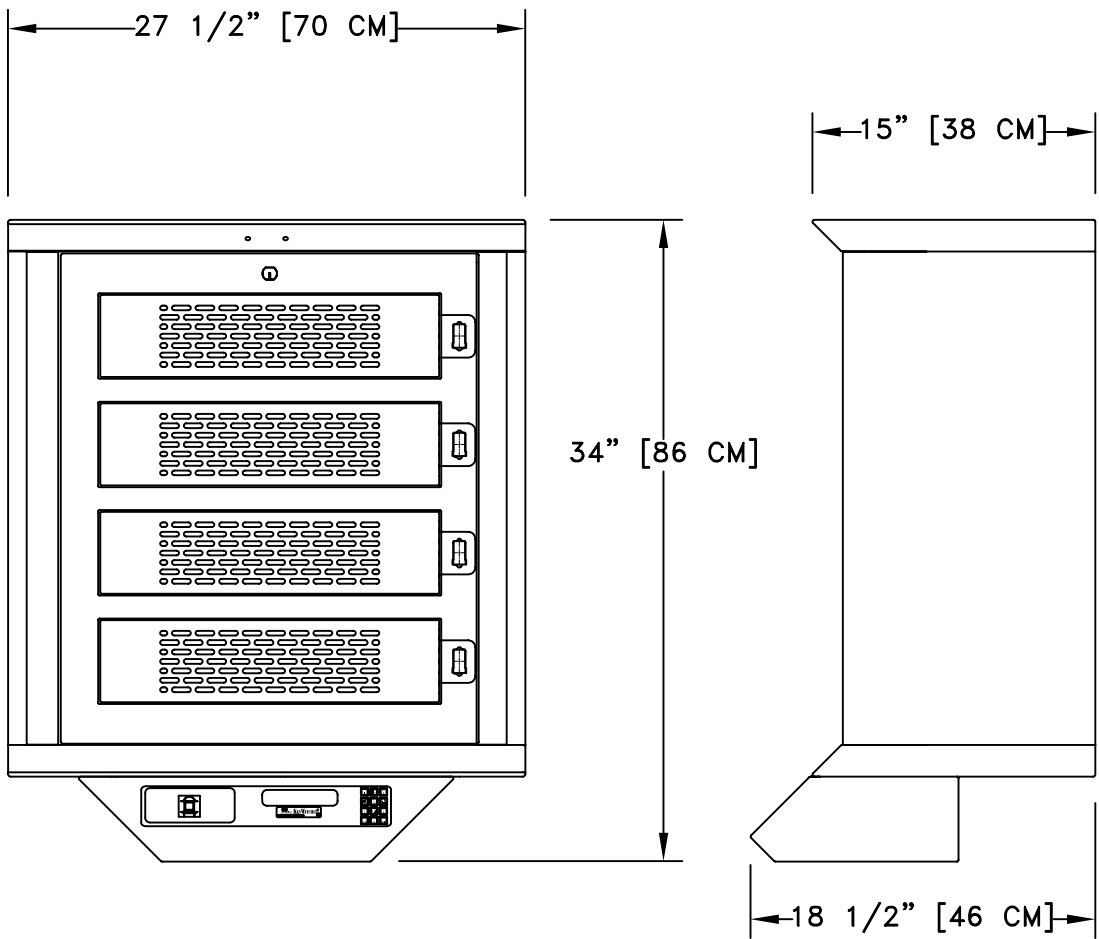


NOTICE: THIS DOCUMENT IS THE PROPERTY OF MORSE WATCHMANS INC. AND IS DELIVERED ON THE EXPRESS CONDITION THAT IT IS NOT TO BE DISCLOSED, REPRODUCED IN WHOLE, OR IN PART, OR USED FOR MANUFACTURE FOR ANYONE OTHER THAN MORSE WATCHMANS INC. WITHOUT ITS WRITTEN CONSENT, AND THAT NO RIGHT IS GRANTED TO DISCLOSE OR SO USE ANY INFORMATION CONTAINED IN SAID DOCUMENT. THIS RESTRICTION DOES NOT LIMIT THE RIGHT TO USE INFORMATION FURNISHED BY VENDORS OR OTHERS OUTSIDE THE MORSE WATCHMANS INC.



MORSE WATCHMAN®

**ILLUMINATED SYSTEM
PC LOCKERS 4 X 18 X 12**

SIZE	CAGE CODE	DWG NO.	REV
		4000-L-PC	
SCALE		SHEET OF	